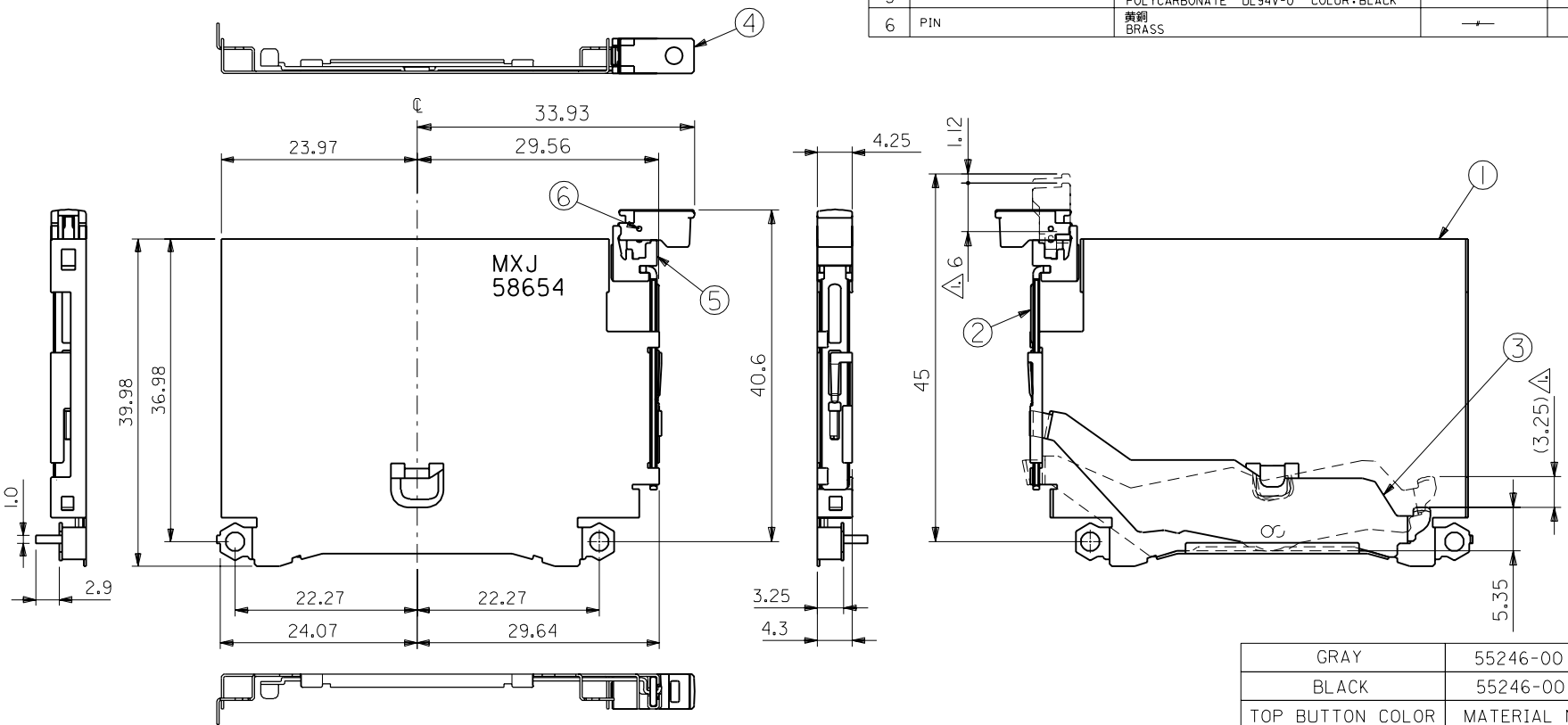


DWG. NO. SD-55246-001

注)  
NOTES

- △ ボタンストロークが 6mm の時、カード飛び出し量は(3.25mm)。  
WHEN BUTTON PUSH STROKE IS 6mm, CARD OUT BY (3.25mm).
- 2. 適合 HEADER ASS'Y : 55244-5021  
APPLICABLE HEADER ASS'Y : 55244-5021



No.	品名 NAME	材料 MATERIAL	仕上げ FINISH	個数 PIECE
1	METAL SHELL	ステンレス鋼 t0.3 STAINLESS STEEL t0.3	—	1
2	ROD	ステンレス鋼 t0.8 STAINLESS STEEL t0.8	—	1
3	LEVER	ステンレス鋼 t0.4 STAINLESS STEEL t0.4	—	1
4	TOP BUTTON	ガラス入りポリエスチル UL94V-0 PBT G.F. UL94V-0	—	1
5	BASE BUTTON	ポリカーボネート UL94V-0 色 : 黒色 POLYCARBONATE UL94V-0 COLOR: BLACK	—	1
6	PIN	黄銅 BRASS	—	1

GRAY	55246-0015
BLACK	55246-0011
TOP BUTTON COLOR	MATERIAL No.

EC NO. DRWN: CHK: APPR:	EC NO. DRWN: CHK: APPR:	REVISED EC No. JD90086 DRWN: THANYU '98/07/15 CHK: MSASAO '98/07/15 APPR: HIKE SUGI '98/07/15	REVISED EC No. JD81537 DRWN: THANYU '98/05/14 CHK: MSASAO '98/05/14 APPR: HIKE SUGI '98/05/14	RELEASED EC No. JD81080 DRWN: THANYU '98/02/06 CHK: MSASAO '98/02/06 APPR: HIKE SUGI '98/02/06	MATERIAL 材料  SEE CHART	GENERAL TOLERANCES: (UNLESS SPECIFIED) 一般公差		SCALE 2-1	DESIGN UNITS <input checked="" type="checkbox"/> mm <input type="checkbox"/> INCH	DIMENSIONS: <input type="checkbox"/> mm <input type="checkbox"/> INCH <input checked="" type="checkbox"/> mm ONLY		SHT	REVISE ON CAD ONLY	
						10 UNDER 未満	+0.2	DRAWN BY & DATE T. Hanaya '98/02/06	THIRD ANGLE PROJECTION		TITLE: CF CARD CONN. EJECT MECHANISM METAL SHELL ASS'Y (FOR LEFT SIDE BUTTON)			
EC NO. DRWN: CHK: APPR:	EC NO. DRWN: CHK: APPR:	REVISED EC No. JD90086 DRWN: THANYU '98/07/15 CHK: MSASAO '98/07/15 APPR: HIKE SUGI '98/07/15	REVISED EC No. JD81537 DRWN: THANYU '98/05/14 CHK: MSASAO '98/05/14 APPR: HIKE SUGI '98/05/14	RELEASED EC No. JD81080 DRWN: THANYU '98/02/06 CHK: MSASAO '98/02/06 APPR: HIKE SUGI '98/02/06	FINISH 仕上り  —	10 OVER 以上	+0.25	CHECKED BY & DATE H. Saito '98/02/06	APPROVED BY & DATE [Signature] '98/02/06		MATERIAL NO. 55246-001*		DRAWING NO. SD-55246-001	SHEET NO. 1 OF 1
						30 UNDER 未満	+0.3	APPROVED BY & DATE [Signature] '98/02/06	MATERIAL NO. 55246-001*		DRAWING NO. SD-55246-001	SHEET NO. 1 OF 1		
EC NO. DRWN: CHK: APPR:	EC NO. DRWN: CHK: APPR:	REVISED EC No. JD90086 DRWN: THANYU '98/07/15 CHK: MSASAO '98/07/15 APPR: HIKE SUGI '98/07/15	REVISED EC No. JD81537 DRWN: THANYU '98/05/14 CHK: MSASAO '98/05/14 APPR: HIKE SUGI '98/05/14	RELEASED EC No. JD81080 DRWN: THANYU '98/02/06 CHK: MSASAO '98/02/06 APPR: HIKE SUGI '98/02/06	WIRE RANGE 通所電線範囲  —	30 OVER 以上	+0.3	CAD FILENAME 55246001.S01	MATERIAL NO. 55246-001*		DRAWING NO. SD-55246-001	SHEET NO. 1 OF 1	SIZE B	
						ANGLE 角度	+3°	THIS DRAWING CONTAINS INFORMATION THAT IS PROPRIETARY TO MOLEX INCORPORATED AND SHOULD NOT BE USED WITHOUT WRITTEN PERMISSION.		EN-02J(097) MXJ-54				

A 10500001501